



Series 3 Clean Water Pump

The HydroForce™ pump has been engineered by HydroForce™ Pumps Ltd in Peterborough to respond to the demand for the highest quality pump for use under water in rainwater harvesting tanks.



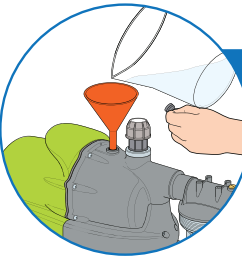
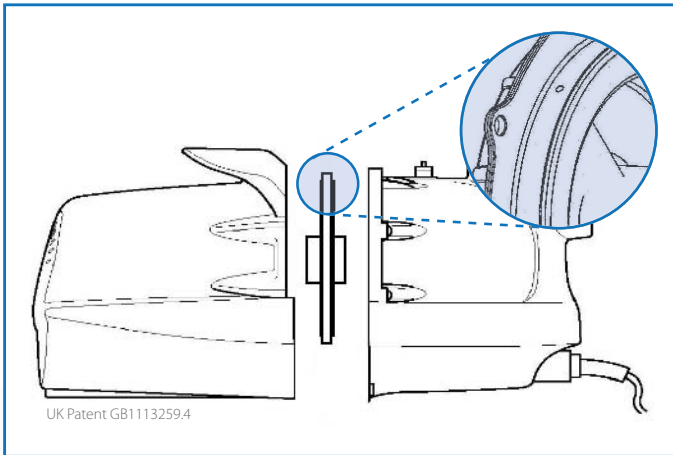
Using the most rugged components it has been exhaustively tested for trouble-free running. The pump features a self-controlling pressure switch, dry run protection and a non-return valve. It is suitable for total immersion in tank water or it can be externally connected to the tank above ground. The Series 3 will deliver up to 3.5 bar (household pressure is around 2.5-4.0 bar). If connected to a hose or tap, the pump will automatically start to pump water when the tap or hose is turned on. The pump delivers over 2500 litres per hour using a 1" connector and uses 800 watts at 220-240v AC delivered by a 10 metre cable. The

exterior bodywork is an Italian-styled shape which is stable in the floor of a water tank. The pump and electric are totally new, engineered to give more reliable underwater performance. Now an alloy bulkhead, pressure release gap and twin chamber design prevent ingress of water to motor, electrical components and to bearing oil. At the factory in Peterborough each pump is tested individually, pumping water through a pre-determined cycle to ensure performance is to spec, and the performance of each pump is automatically logged against its bar code number to assure the client of its quality.

SPECIFICATIONS

The HydroForce™ Series 3 is an electronically-controlled, pressure-sensitive, submersible, centrifugal roto-dynamic pump with no reciprocating parts.

- Pressure-sensitive (demand) pump which turns itself off until there is a demand for water.
- Max head (nominal) 35 metres, pump pressure (nominal) at outlet 3.5 bar, max suction 3 metres.
- Dry-run Protection: when no water is detected for 8 seconds, the pump is turned off by the printed circuit board (PCB) in order to protect the motor and pump from burning out. Automatic reset after a period of 30 minutes. If water is still not detected, subsequent reset periods are 1.5 hours, 3 hours, 7 hours, 12 hours, 24 hours then back to the beginning of the cycle. Additionally, a thermal switch, not connected to the PCB, turns the pump off when motor overheats. It resets when cool which make take several hours.
- **NEW:** Alloy bulkhead (pictured below), pressure release gap and twin chamber design prevents ingress of water to motor, electrical components and to bearing oil.
- **NEW:** Double bearing seal prevents egress of bearing oil.



High-quality image-based multi-lingual instruction manuals. (sample image left)

Italian Styling

British Engineering

British Manufacture



HydroForce™
Pumps Ltd

HydroForce™ Pumps Ltd, Unit A Harrier Park, Southgate Way, Orton Southgate, Peterborough, England, PE2 6YQ. Tel: +44 1733 405100.
Email: info@hydroforcepumps.co.uk www.hydroforcepumps.co.uk